



MEDIUM DUTY GAS GRIDDLES

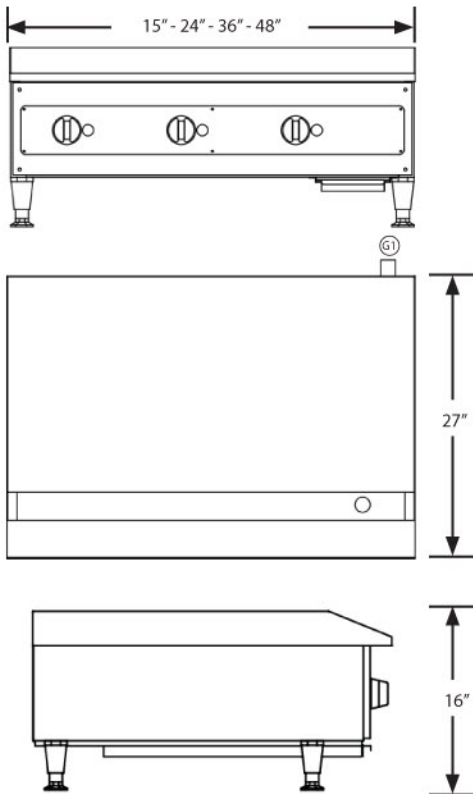
ESG-15 ESG-24 ESG-36 ESG-48

FEATURES:

- Stainless and aluminized steel with fully welded construction
- Front access for lighting of pilot lights
- Griddle plate welded seams eliminate grease build up
- 12" wide heating zone per control
- Chrome knobs with visible on/off indicators
- Shipped with natural gas, unit comes with kit for conversion to propane
- Heavy duty 6" legs with height adjustable bullet feet
- Front sliding drip pan tray for easy cleaning
- Polished steel 3/4" thick griddle plate retains heat while cooking
- U-shaped burners allow for steady heat distribution and faster heat recovery
- 2 - 3/4" Stainless steel sidesplash welded in place
- Includes convertavle gas regulator and gas connection
- Cool touch bull-nose front plate protects user from hot surfaces



ESG-24



ESG-15 MEDIUM DUTY 15" GAS GRIDDLE	
Dimensions (L X W X H)	27" x 15" x 16"
Power (G1)	3/4" NPT gas connection
BTU	28,000
Shipping weight	98 lbs
ESG-24 MEDIUM DUTY 24" GAS GRIDDLE	
Dimensions (L X W X H)	27" x 24" x 16"
Power (G1)	3/4" NPT gas connection
BTU	56,000
Shipping weight	170 lbs
ESG-36 MEDIUM DUTY 36" GAS GRIDDLE	
Dimensions (L X W X H)	27" x 36" x 16"
Power (G1)	3/4" NPT gas connection
BTU	84,000
Shipping weight	210 lbs
ESG-48 MEDIUM DUTY 48" GAS GRIDDLE	
Dimensions (L X W X H)	27" x 48" x 16"
Power (G1)	3/4" NPT connection
BTU	112,000
Shipping weight	250 lbs

* In the pursuit of a better product, durability and performance. SATURN reserves the right to change specifications, materials and design without further notice.

Warranty: 1 year parts and labor.