



MEDIUM DUTY GAS HOT PLATES

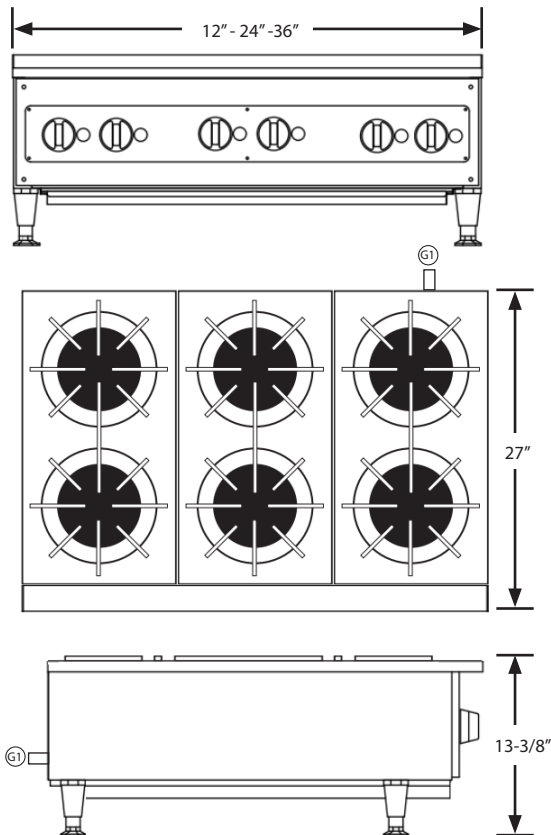
ESHP-2 ESHP-4 ESHP-6

FEATURES:

- Stainless steel and aluminized steel with fully welded construction for durability and long life
- Drip resistant burners allow for faster heating and more even heat distribution
- Heavy duty cast iron hotplates are included
- Shipped with natural gas, unit comes with kits for conversion to propane
- Chrome knobs with visible on/off indicators
- Cool touch bull-nose design to protect from burns
- Full width stainless steel drip pan tray
- Angled slope hotplates keep grease away from burners and pilot lights
- Front access for light of pilot lights
- Heavy duty 6" legs with height adjustable bullet feet



ESHP-6



ESHP-2 MEDIUM DUTY 2 BURNER 12" GAS HOTPLATE	
Dimensions (L X W X H)	27" x 12" x 13-3/8"
Burners	2
Power	Ⓢ 3/4" NPT gas connection
BTU	52,000
Shipping weight	98 lbs

ESHP-4 MEDIUM DUTY 4 BURNER 24" GAS HOTPLATE	
Dimensions (L X W X H)	27" x 24" x 13-3/8"
Burners	4
Power	Ⓢ 3/4" NPT gas connection
BTU	104,000
Shipping weight	169 lbs

ESHP-6 MEDIUM DUTY 6 BURNER 36" GAS HOTPLATE	
Dimensions (L X W X H)	27" x 36" x 13-3/8"
Burners	6
Power	Ⓢ 3/4" NPT gas connection
BTU	156,000
Shipping weight	230 lbs

* In the pursuit of a better product, durability and performance. SATURN reserves the right to change specifications, materials and design without further notice.

Warranty: 1 year parts and labor.