

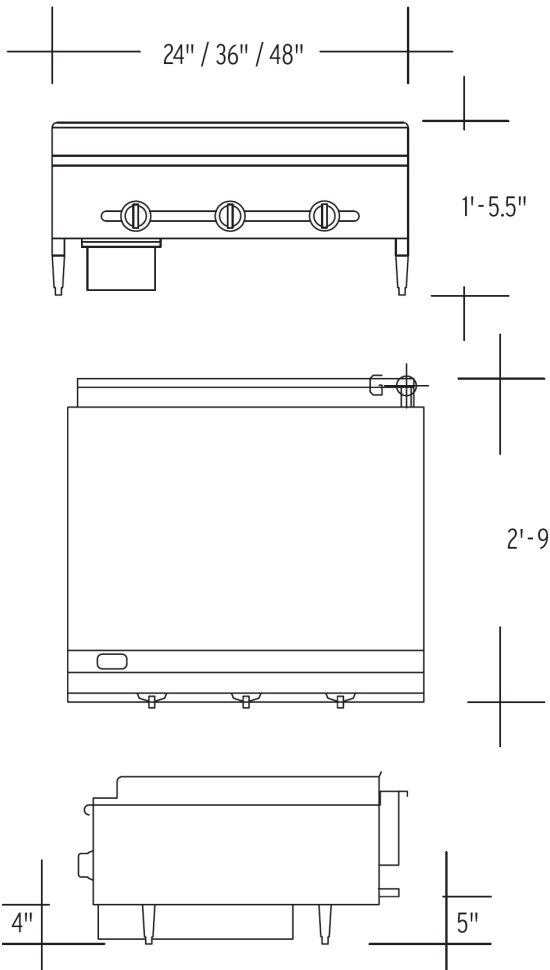


SG24-HD, SG36-HD, SG48-HD

MANUALLY CONTROLLED GRIDDLES - HEAVY DUTY

PRODUCT FEATURES:

- Available in 24" , 36" or 48"
- Stainless steel construction
- Commercial grade 3/4" steel plate griddle surface
- 1" Thick griddle plate also available
- Individual control settings for each burner for heat control and versatility: Off/Low to High
- Even heat distribution
- 4" heavy duty chrome legs
- 4" Side splash and backsplash standard



SPECIFICATIONS: SG24-HD

Dimensions	24"W x 31.75"D x 17"H (incl. 4" legs)
Burners	2
Shipping Weight	250lbs / 113.5kg
Power	3/4" NPT connection
BTU	60,000 BTU/burner
L.P. Gas units also available	

SPECIFICATIONS: SG36-HD

Dimensions	36"W x 31.75"D x 17"H (incl. 4" legs)
Burners	3
Shipping Weight	396lbs / 180.5kg
Power	3/4" NPT connection
BTU	90,000 BTU/burner
L.P. Gas units also available	

SPECIFICATIONS: SG48-HD

Dimensions	48"W x 31.75"D x 17"H (incl. 4" legs)
Burners	4
Shipping Weight	508lbs / 230.5kg
Power	3/4" NPT connection
BTU	120,000 BTU/burner
L.P. Gas units also available	

* In the pursuit of a better product, durability and performance. SATURN reserves the right to change specifications, materials and design without further notice.



WARRANTY:
1 year parts and labor.