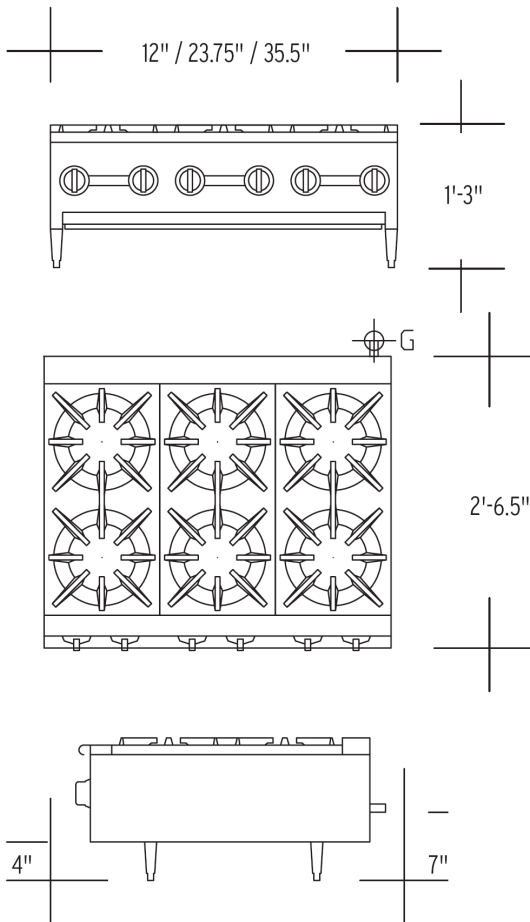




SHP2-HD, SHP4-HD, SHP6-HD GAS HOTPLATES - HEAVY DUTY

PRODUCT FEATURES

- 2, 4 or 6 burners available
- Stainless steel construction
- Heavy duty cast iron burners
- Individual control settings for each burner for versatility: Off/Low to High
- 4" heavy duty chrome legs



SPECIFICATIONS: SHP2-HD	
Dimensions	12"W x 30.25"D x 14.65"H (incl. 4" legs)
Burners	2
Shipping Weight	89lbs / 40kg
Power	3/4" NPT connection
BTU	53,000 BTU
SPECIFICATIONS: SHP4-HD	
Dimensions	23.75"W x 30.25"D x 14.65"H (incl. 4" legs)
Burners	4
Shipping Weight	225lbs / 102kg
Power	3/4" NPT connection
BTU	106,000 BTU
SPECIFICATIONS: SHP6-HD	
Dimensions	35.5"W x 30.25"D x 14.65"H (incl. 4" legs)
Burners	6
Shipping Weight	305lbs / 139kg
Power	3/4" NPT connection
BTU	159,000 BTU
L.P. Gas units also available	

* In the pursuit of a better product, durability and performance. SATURN reserves the right to change specifications, materials and design without further notice.



WARRANTY:
1 year parts and labor.